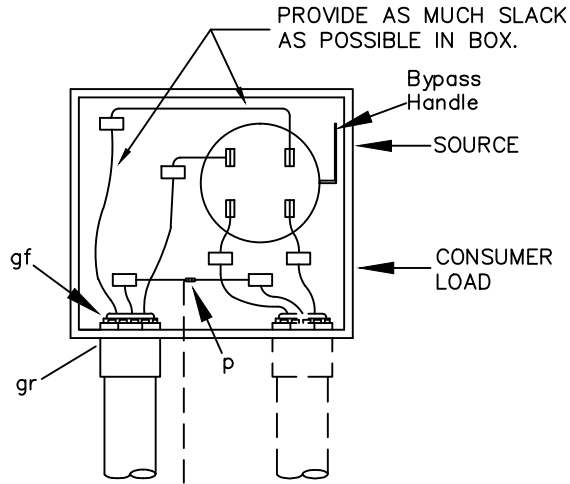
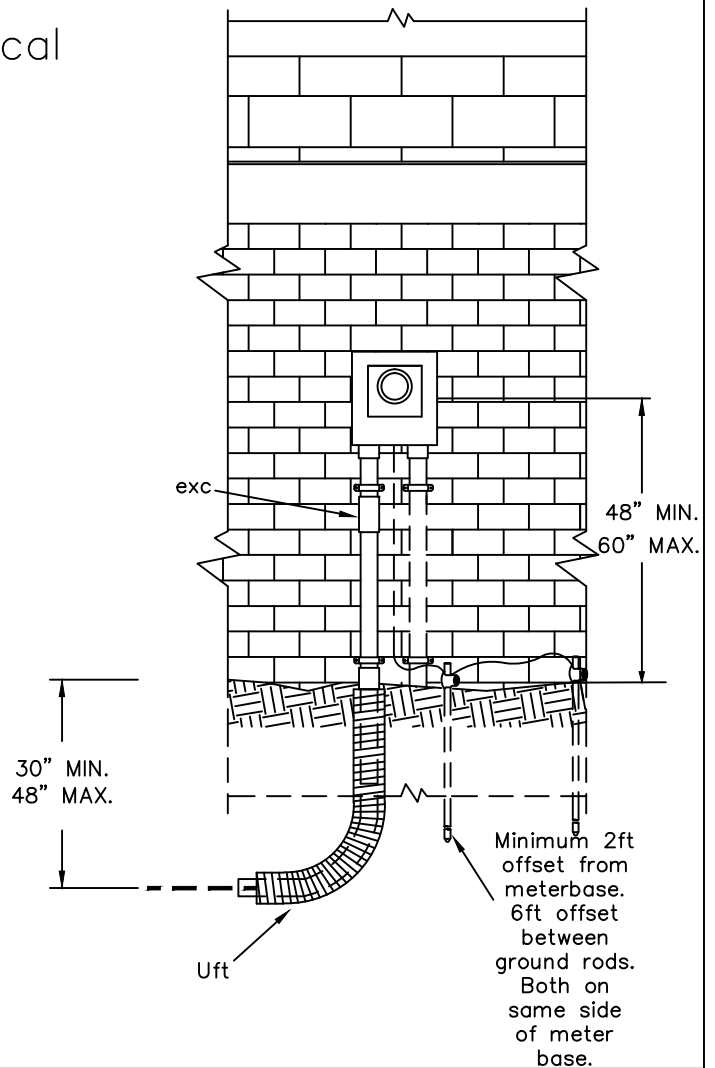
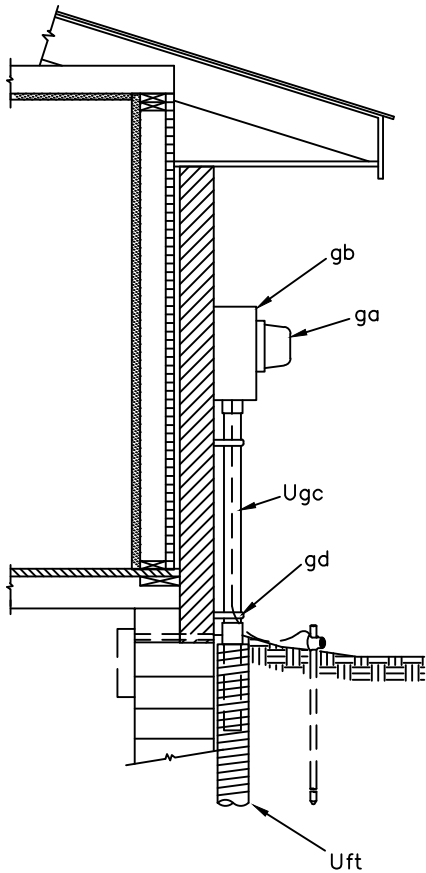


NOTES: If using continuous conduit instead of flex tile, expansion coupling is needed on riser to meter base.



Typical



ITEM	QTY	DESCRIPTION
ga	1 ea	Meter - CL 320
Ugc	10 ft	3" PVC
gb	1 ea	Meter base - 320 amp
gr	1 ea	Box connector - 3"
gf	1 ea	Conduit lock nut - 3"
p	ea	Connectors, as required
Uft	10 ft	4" Flex tile
exc	1 ea	Expansion Coupling 3" (See NOTES)



**320AMP SINGLE PHASE METER INSTALLATION
UNDERGROUND SOURCE**

OCTOBER 2016

REVISION 5

UM8-320