



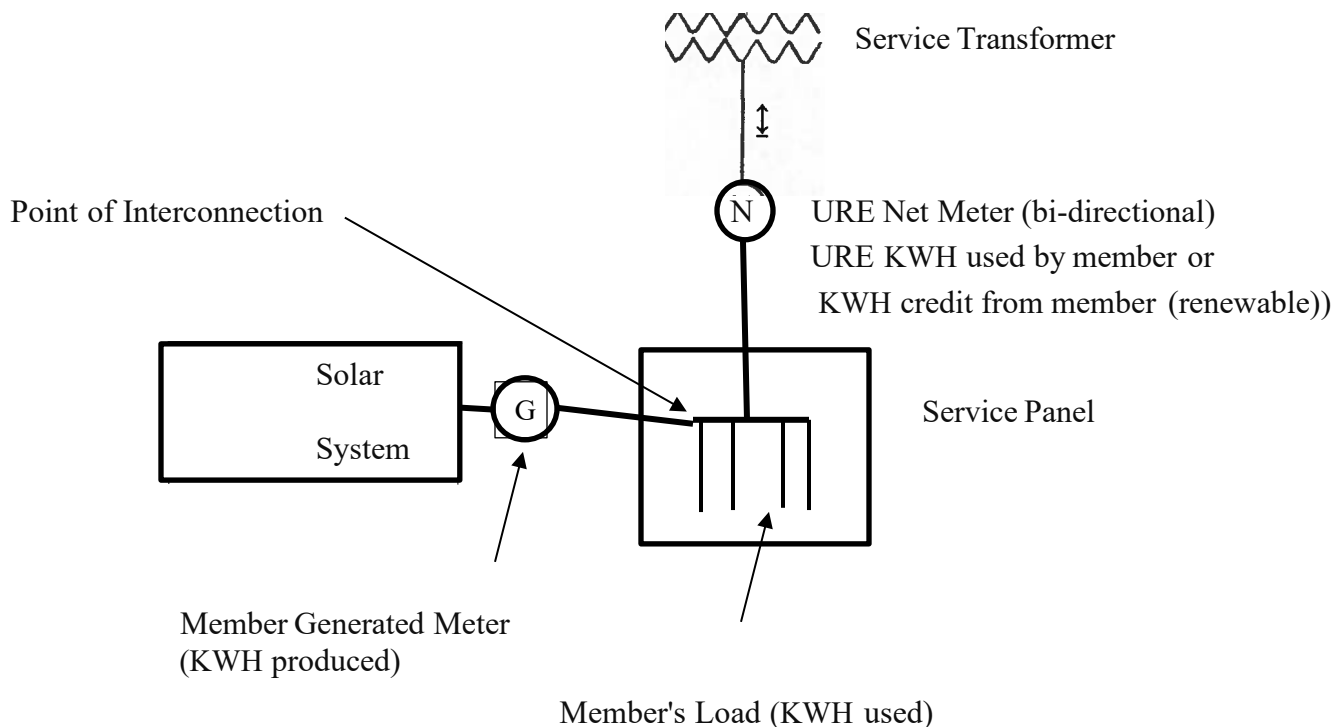
Union Rural Electric Cooperative, Inc. | 15461 US Highway 36 | Marysville, OH 43040
office: 800.642.1826 | fax: 937.644.4239 | email: services@ure.com | ure.com | www.facebook.com/unionrural | twitter.com/UnionRural

Basic Net Metering Installation

Updated 8/13/21

The Member desires to interconnect the Electric Generating Facility to the Power Company's electric distribution system and to use the output of the Electric Generating Facility to first meet the requirements of the Member's electric consuming facilities located on the Premises and then transfer to the Power Company any such output in excess of the requirements of the Member's electric consuming facilities and receive a credit against the Member's bill for electric service under the Net Metering arrangements.

(URE Distribution System)



Net metering is accomplished using a single meter capable of registering the flow of electricity in each direction from URE Distribution System to Member's Load