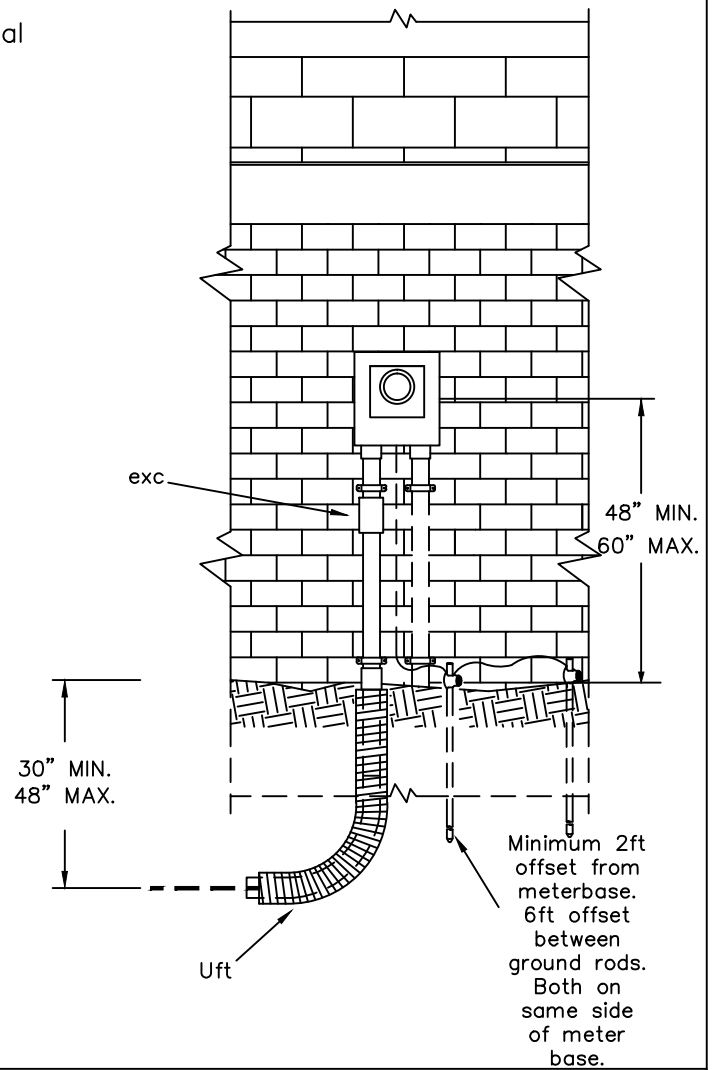
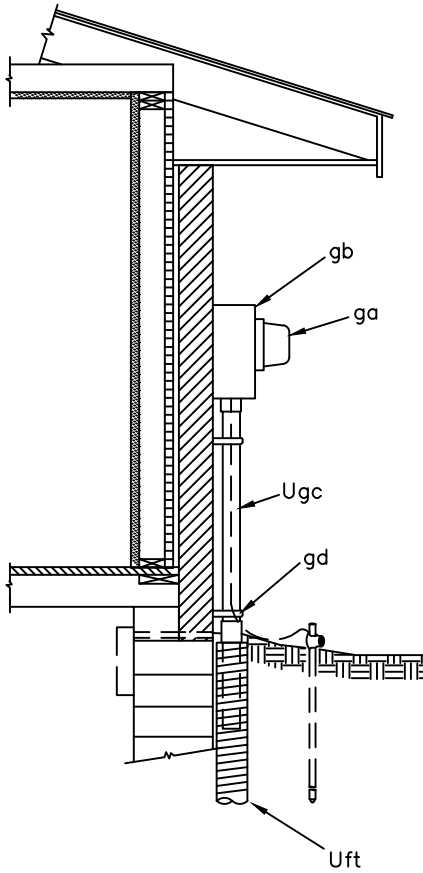
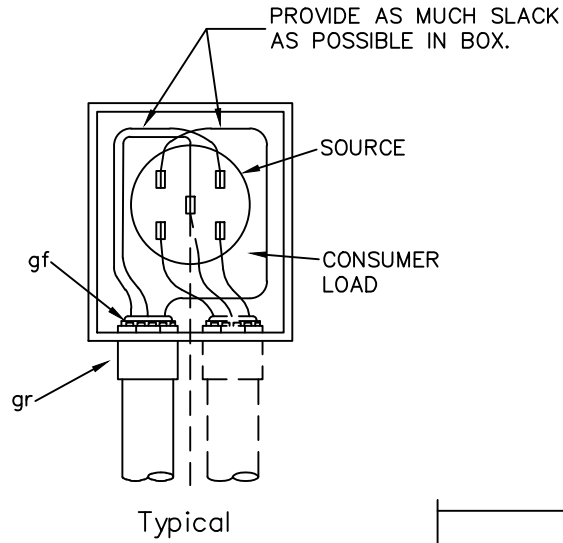


NOTES: If using continuous conduit instead of flex tile, expansion coupling is needed on riser to meter base.



ITEM	QTY	DESCRIPTION
ga	1 ea	Meter - CL 200
Ugc	10 ft	2" PVC
gb	1 ea	Meter base - 200 amp
gr	1 ea	Box connector - 2"
gf	1 ea	Conduit lock nut - 2"
Uft	10 ft	3" Flex tile
exc	1 ea	Expansion Coupling (See NOTES)



200AMP SINGLE PHASE METER INSTALLATION
UNDERGROUND SOURCE

OCTOBER 2016

REVISION 4

UM8-200