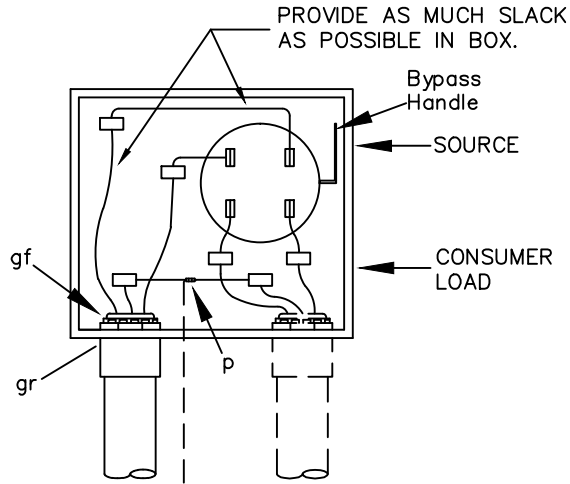
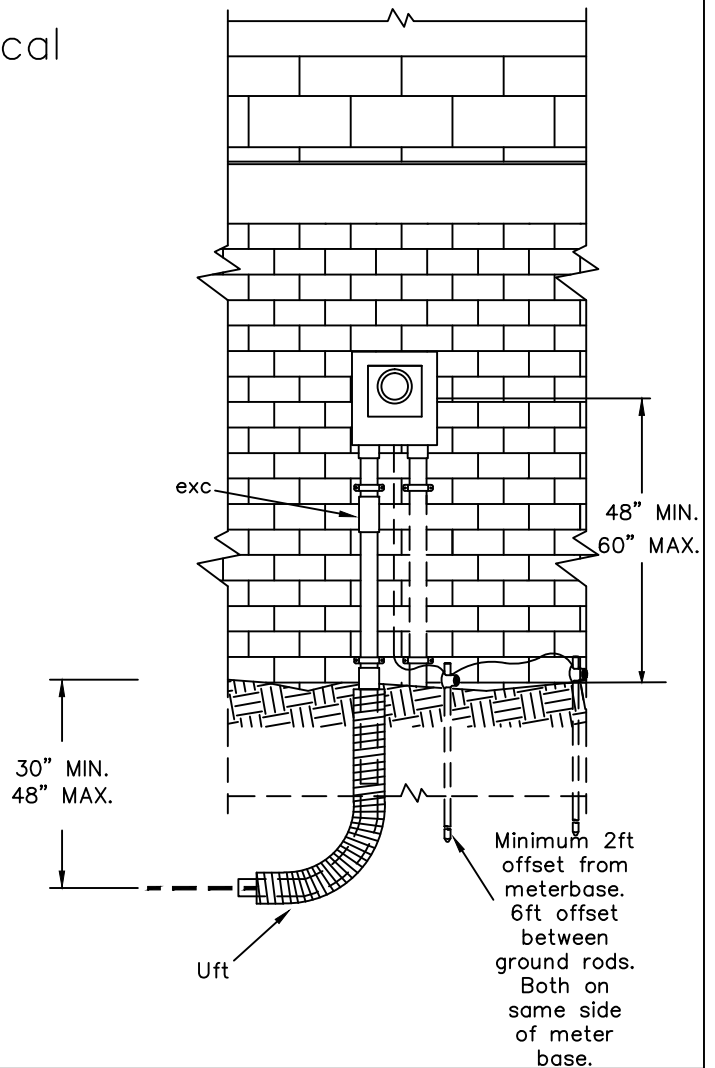
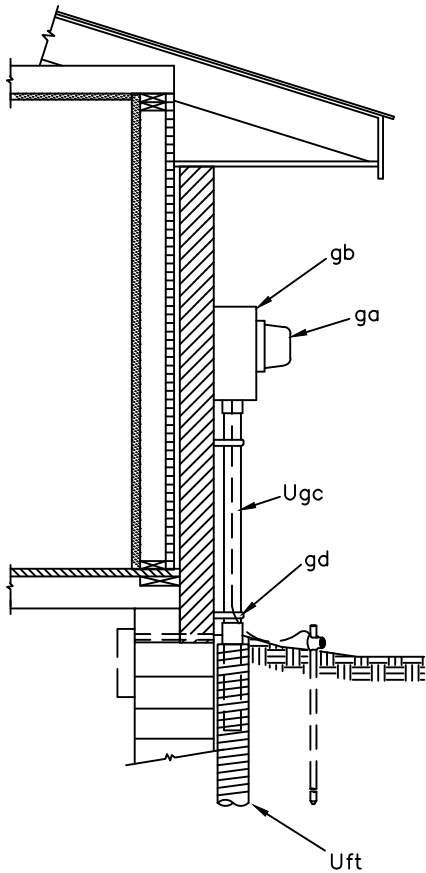


NOTES: If using continuous conduit instead of flex tile, expansion coupling is needed on riser to meter base.



Typical



ITEM	QTY		DESCRIPTION
ga	1	ea	Meter - CL 320
Ugc	10	ft	3" PVC
gb	1	ea	Meter base - 320 amp
gr	1	ea	Box connector - 3"
gf	1	ea	Conduit lock nut - 3"
p		ea	Connectors, as required
Uft	10	ft	4" Flex tile
exc	1	ea	Expansion Coupling 3" (See NOTES)



320AMP SINGLE PHASE METER INSTALLATION
UNDERGROUND SOURCE

OCTOBER 2016

REVISION 5

UM8-320